



SUNSYSTEM®

Energy from the sun

SUNSYSTEM 90m Photovoltaic modules

Made in EU

Crystalline modules with fully positive tolerance.
Yield guaranteed for 25 years.
Individual flash test record for each module.

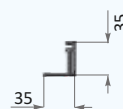
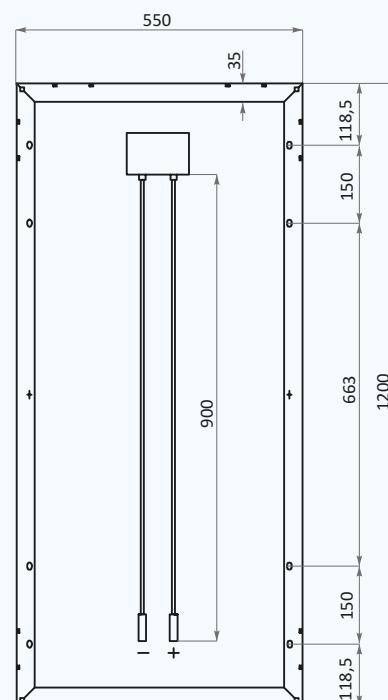
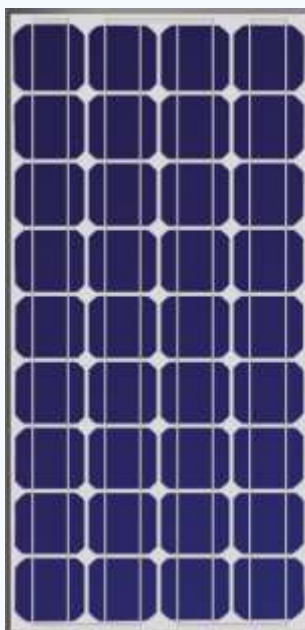
Electrical specifications:	
Maximum power Pmax	90 Wp
Tolerance	+ 3% - 0%
Voltage at max power Vmp	19,2 V
Current at max power Imp	4,69 A
Open circuit voltage Voc	23,4 V
Short circuit current Isc	5,16 A
Cell efficiency	16,8 %
Module efficiency	13,9 %

* STC (Standard test conditions) : Irradiation 1000 W/m²,
ambient temperature 25°C, Spectre AM 1.5

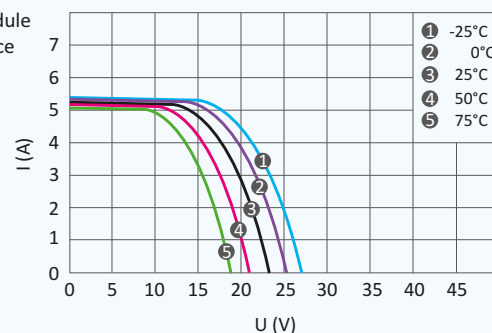
Physical specifications:	
Overall dimensions	1200 x 550 x 35 mm
Number of cells	36 (4 x 9)
Size of cells	125 x 125 mm
Weight	8,0 kg
Type of cell	monocrystalline
Frame	aluminum
Junction box	TÜV certified
Back closing	TPT
Front closing	Tempered glass 3,2 mm
Length of cable	900 mm
Connector type	MC 4

Temperature coefficients:	
NOCT	48°C ± 2°C
Temp. coeff. of Pmax	- 0,4667 % / °C
Temp. coeff. of Vmp	- 0,345 % / °C
Temp. coeff. of Imp	+ 0,1055 % / °C
Temp. coeff. of Voc	- (0,3 ± 0,05) % / °C
Temp. coeff. of Isc	+ 0,065 % / °C

Limitations:	
Max. system voltage	1000 V DC
Temperature range	-40°C - +85/ °C
Max. physical load	2400 Pa



I-V characteristic of module
temperature dependence



Warranty and certificates:	
Workmanship and material	10 years
80% of the minimum peak power	25 years
Certified in accordance with IEC 61215:2005 & EN 61730:2007	

