



# SUNSYSTEM®

Energy from the sun

## SUNSYSTEM 185m - 190m - 195m Photovoltaic modules

Made in EU

Crystalline modules with fully positive tolerance.  
Yield guaranteed for 25 years.  
Individual flash test record for each module.

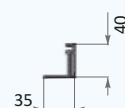
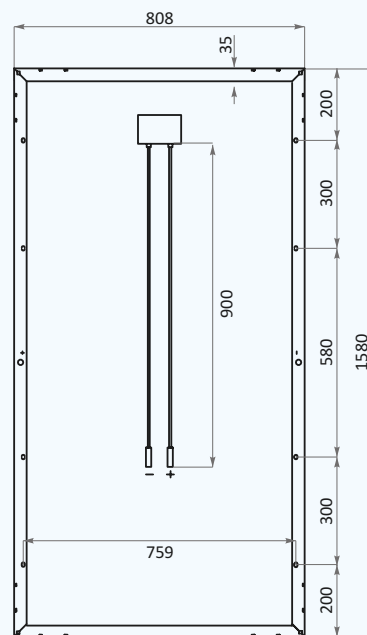
Electrical specifications:	185m	190m	195m
Maximum power Pmax	185Wp	190Wp	195 Wp
Tolerance	+ 3% - 0%	+ 3% - 0%	+ 3% - 0%
Voltage at max power Vmp	36,2 V	36,6 V	37,1 V
Current at max power Imp	5,11 A	5,19 A	5,26 A
Open circuit voltage Voc	44,9 V	45,7 V	45,8 V
Short circuit current Isc	5,52 A	5,53 A	5,59 A
Cell efficiency	17,3 %	17,7 %	18,1 %
Module efficiency	14,5 %	14,9 %	15,3 %

\* STC (Standard test conditions) : Irradiation 1000 W/m<sup>2</sup>, ambient temperature 25°C, Spectre AM 1.5

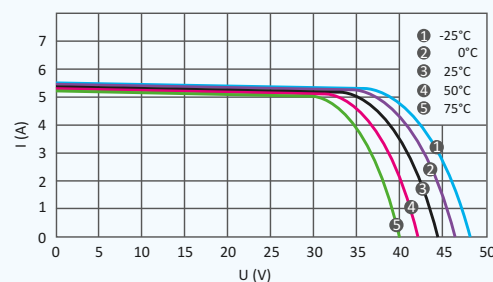
Physical specifications:	
Overall dimensions	1580 x 808 x 40 mm
Number of cells	72 ( 6 x 12 )
Size of cells	125 x 125 mm
Weight	15,5 kg
Type of cell	monocrystalline
Frame	aluminum
Junction box	TÜV certified
Back closing	TPT
Front closing	Tempered glass 3,2 mm
Length of cable	900 mm
Connector type	MC 4

Temperature coefficients:	
NOCT	48°C ± 2°C
Temp. coeff. of Pmax	- 0,4667 % / °C
Temp. coeff. of Vmp	- 0,345 % / °C
Temp. coeff. of Imp	+ 0,1055 % / °C
Temp. coeff. of Voc	- (0,3 ± 0,05) % / °C
Temp. coeff. of Isc	+ 0,065 % / °C

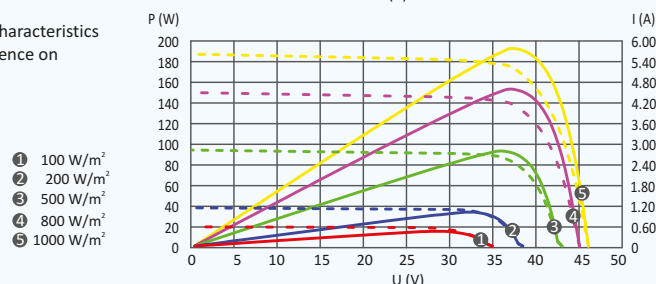
Limitations:	
Max. system voltage	1000 V DC
Temperature range	-40°C - +85/ °C
Max. physical load	2400 Pa



I-V characteristic of module temperature dependence



I-V and P-V characteristics with dependence on irradiance



### Warranty and certificates:

Workmanship and material	10 years
80% of the minimum peak power	25 years

Certified in accordance with IEC 61215:2005 & EN 61730:2007

